



Item #: _____
Models: H286, H286S
Product Name: Starfire Series, 36" Wide, Medium
Duty Gas Range



*Model H286,
shown with optional casters*

H286 Single Oven Model & H286S Storage Base Model Specifications:

Gas medium duty range with full size oven. 36" (914mm) wide. (6) open top Starfire burners with cast iron top and ring grates. Stainless steel front and two sides. Stainless steel backguard and plate shelf. Available with optional hot tops) and/or griddle. Available with convection oven base or storage base, H286S. Recommended for churches, schools, cafes and small restaurants.



<http://www.Garland-Group.com>

Standard Features:

- Cast iron top & ring grates
- 24,000 BTU / 7.03kW, (Natural Gas) or 20,000 BTU / 5.86kW, (Propane) Starfire burners, (6)
- Stainless steel front & two sides
- Stainless steel valve panel
- Stainless steel front rail
- Stainless steel backguard & plate shelf
- 30,000 BTU (8.79kw) oven burner
- Standard oven; fully porcelain interior which includes oven bottom, top, rear, embossed sides, and inside door liner.
- Storage Base in lieu of oven, Model H286S
- Removable nickel plated four position oven rack guides
- Nickel plated oven rack (one per oven)
- Heavy Duty "FDO" Oven Thermostat; 150° - 500°F (66°-260° C)
- 6" (152mm) chrome steel legs with stainless steel inserts
- Gas pressure regulator
- One year limited warranty on parts & labor, (USA & Canada only)

Optional Features:

- Black porcelain top & ring grates, (change "H" in model number to "P")
- Stainless steel backguard/flue riser "BG"
- 10" (254mm) Low profile backguard - change "BG" to "LPBG"
- Celsius temperature dials
- Convection oven base (add suffix - RC)
- 12" hot top section; 3/8" (10mm) thick; (add suffix -1, -2 or -3); standard on left or specify location
- 12", 24" or 36" griddle (manual or thermostat control), 5/8" (19mm) thick, working depth 20-1/2" (521mm); standard on right or specify location
- Additional oven rack
- Stainless steel legs, set of (4)
- Set of (4) casters with front (2) locking

NOTE: Ranges supplied with casters must be installed with an approved restraining device.

GARLAND® GAS Starfire Series 36" Wide Medium Duty Gas Range Models: H286, H286S

Garland Commercial Industries, Inc.
185 East South Street
Freeland, Pennsylvania 18224
Phone: (570) 636-1000
Fax: (570) 636-3903

Garland Commercial Ranges Ltd
1177 Kamato Road, Mississauga, Ontario
L4W 1X4 CANADA
Phone: 905-624-0260
Fax: 905-624-5669

Enodis UK LTD
Swallowfield Way, Hayes, Middlesex
UB3 1DQ ENGLAND
Telephone: 081-561-0433
Fax: 081-848-0041



Item #: _____
 Models: H286, H286S
 Product Name: Starfire Series, 36" Wide, Medium Duty Gas Range

Input Rating Per Burner (Natural Gas)								Operating Pressure			
Open*		Hot Top**		Griddle***		Oven		Natural		Propane	
BTU	kW	BTU	kW	BTU	kW	BTU	kW	"WC	mbar	"WC	mbar
24,000	7.03	18,000	5.27	18,000	5.27	30,000	8.78	4.5	11	10	25

Gas input ratings shown for installations up to 2000 ft., (610m), above sea level. Please specify altitudes over 2000 ft. Please specify gas type when ordering.

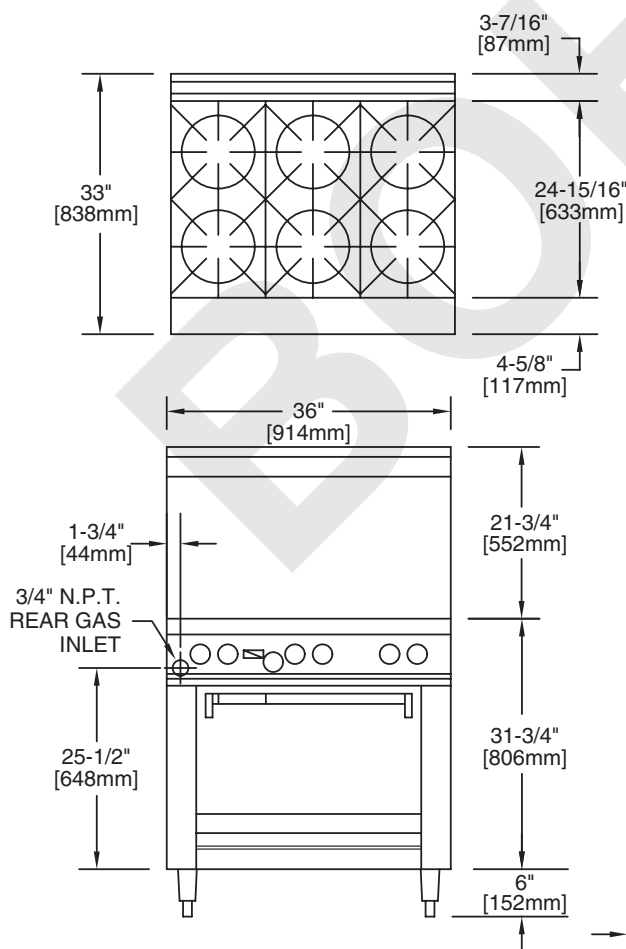
- * Two (2) burners per 12" (305mm) section, (rated at 20,000BTU/5.86kW with Propane)
- ** One (1) burner per optional 12" (305mm) section, (replaces 2 open burners); add suffix: -1, -2 or -3; standard on left
- *** One (1) burner per 12" (305mm) of optional griddle width, (replaces 2 open burners); add suffix-12G, -24G or -36G, (valve control)-12TH, -24TH or -36TH, (thermostat control); Standard on right

Exterior Dimensions			Oven Interior Dimensions			Installation Clearances	
Height w/shelf	Width	Depth	Height	Width	Depth	Sides	Rear
59-1/2" (1511mm)	36" (914mm)	33" (838mm)	13-12" (343mm)	26-1/4" (667mm)	22" (559mm)	6" (152mm)	6" (152mm)

NOTE: Installation clearance reductions are applicable only where local codes permit.

This product is not approved for residential use.

MODEL	Shipping Wt.		Entry Clearances	
	Lbs.	Kg	Crated	Uncrated
H286	535	243	46" (1168mm)	34" (864mm)
H286S	385	175	46" (1168mm)	34" (864mm)
H286RC	585	266	46" (1168mm)	39" (991mm)



Installation notes: For RC oven add 5" (127mm) to overall depth. Electric characteristics: 1/3 HP motor; 120VAC, single phase, 3.4 Amps. (6 Ft /1829mm power supply cord included)

